

## TBR Telescopic Gravity Roller Conveyor (50Kg or 100Kg/m)



TBRF



TBR10



TBR12

### GALLERY



TBR10



TBR10



TBR12



TBR12

## TBRF PRODUCTS DETAILS



25mm diameter steel rollers

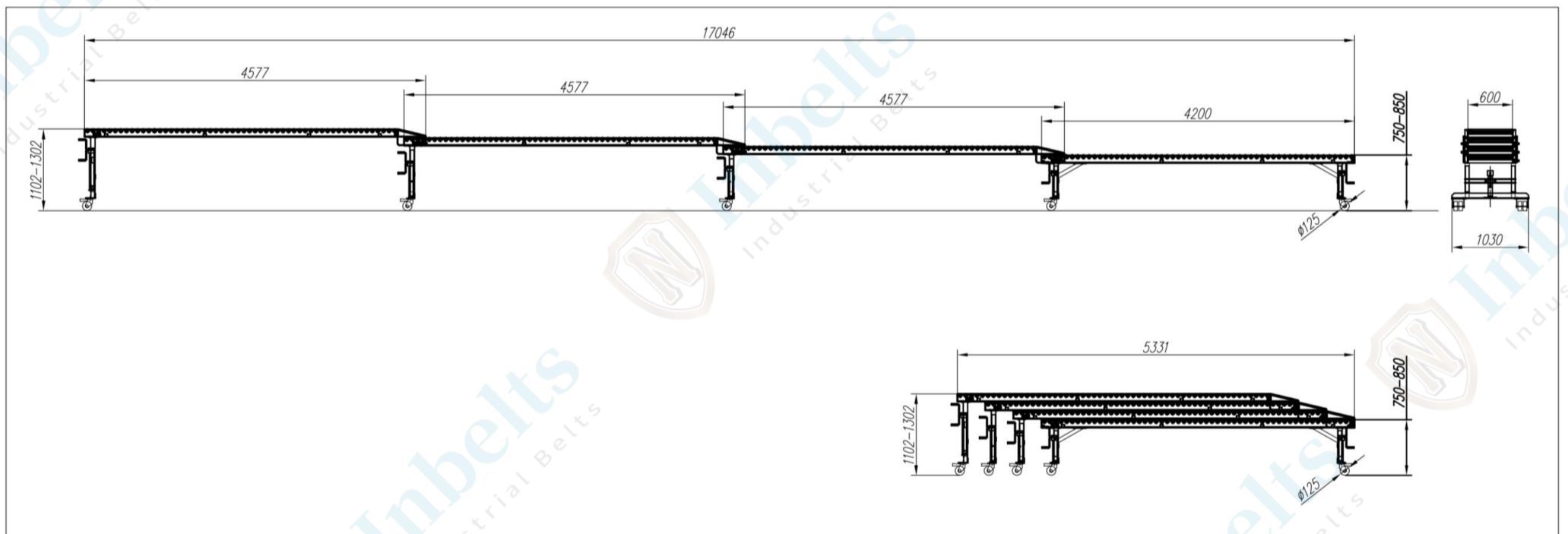


Screw jack and adjustable height on each deck



125mm diameter swivel braked castors

## TBRF Drawing



<b>TBRF</b>	
Conveyor Roller	Main roller $\Phi 50$ mm, transfer roller: $\Phi 25$ mm, galvanized steel rollers
Full Open Length	17046mm
Close Length	5331mm
Effective Width	600mm
Loading Height	1102mm-1302mm
Discharge Height	750mm-850mm
Castors Diameter	125mm
Bearing Capacity	50Kg/m
Height Adjusting Instrument	Screw jack

## TBR10 PRODUCTS DETAILS



With screw jacks to adjust height

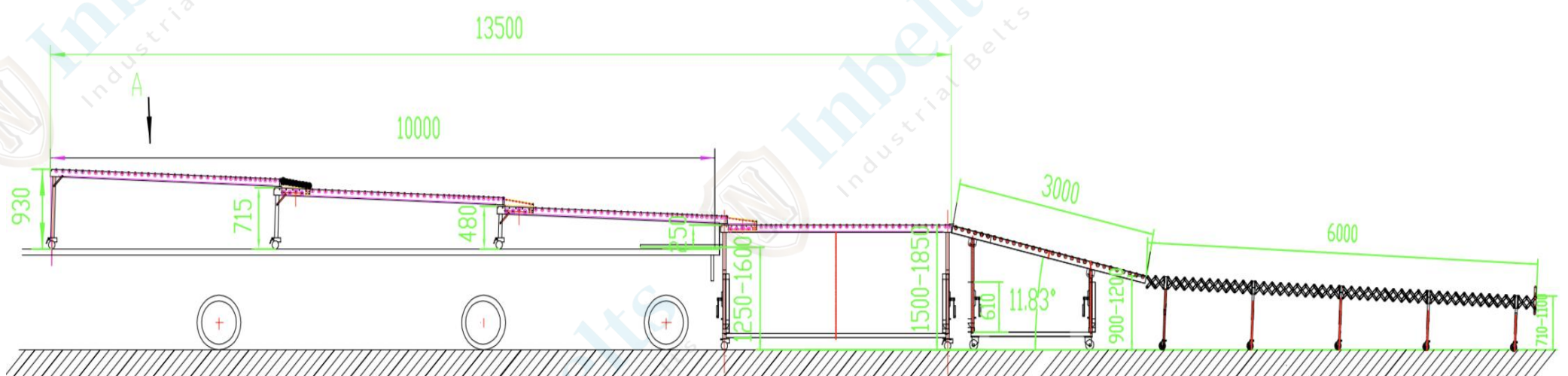
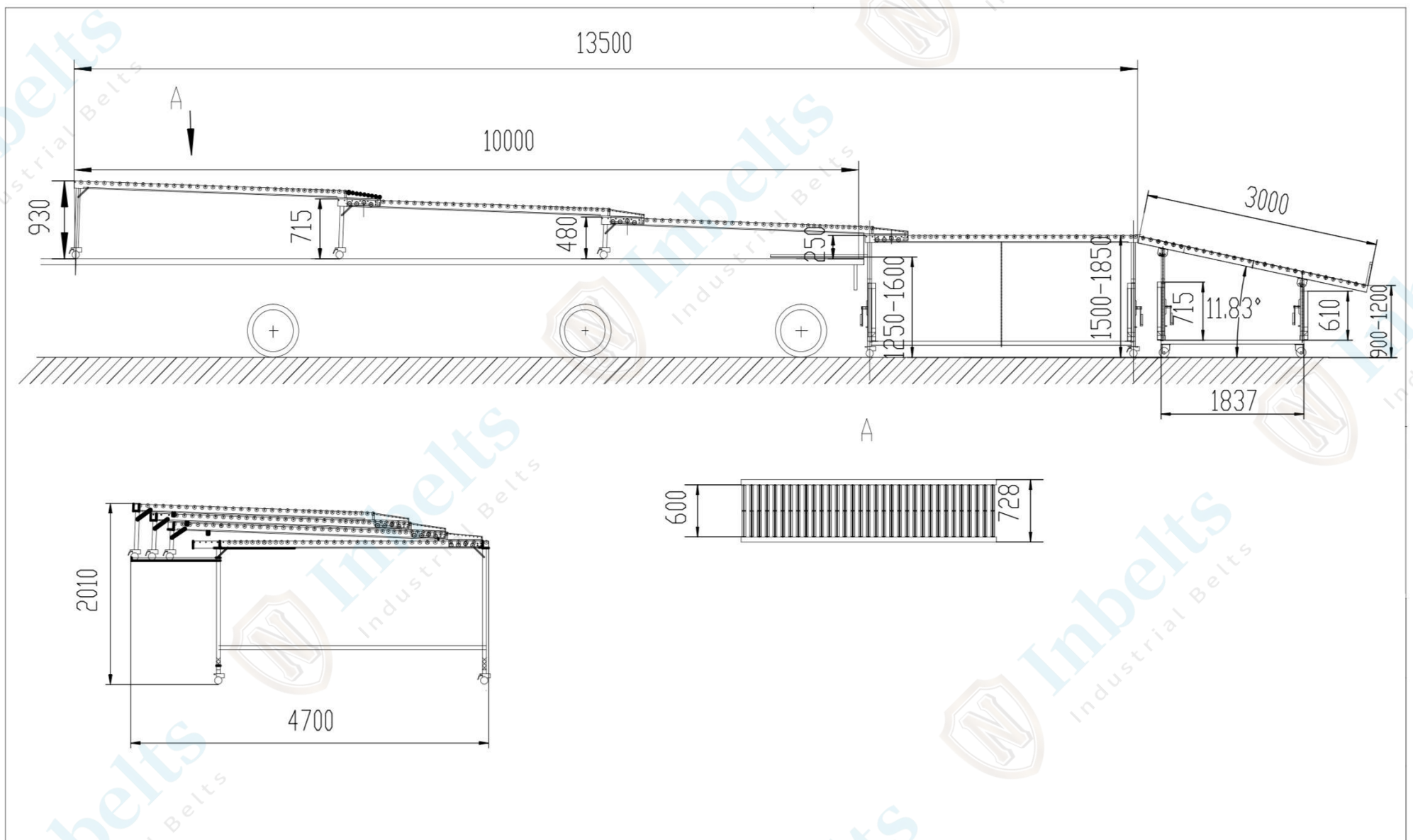


Flexible Double PVC Roller Conveyor



The declined section is height adjustable

### TBR10 Drawing



**TBR10**

Conveyor Roller	Φ50mm Transfer Roller, Φ25mm galvanized steel rollers
Full Open Length	13500mm
Close Length	4700mm
Effective Width	600mm
Declined Section Length	3000mm
Loading Height in Vehicle	250-930mm
Discharge Height Outside Vehicle	1450-1750mm
Overall Length in Vehicle	10m

## TBR12 PRODUCTS DETAILS



25mm diameter steel rollers within a transfer slider section.

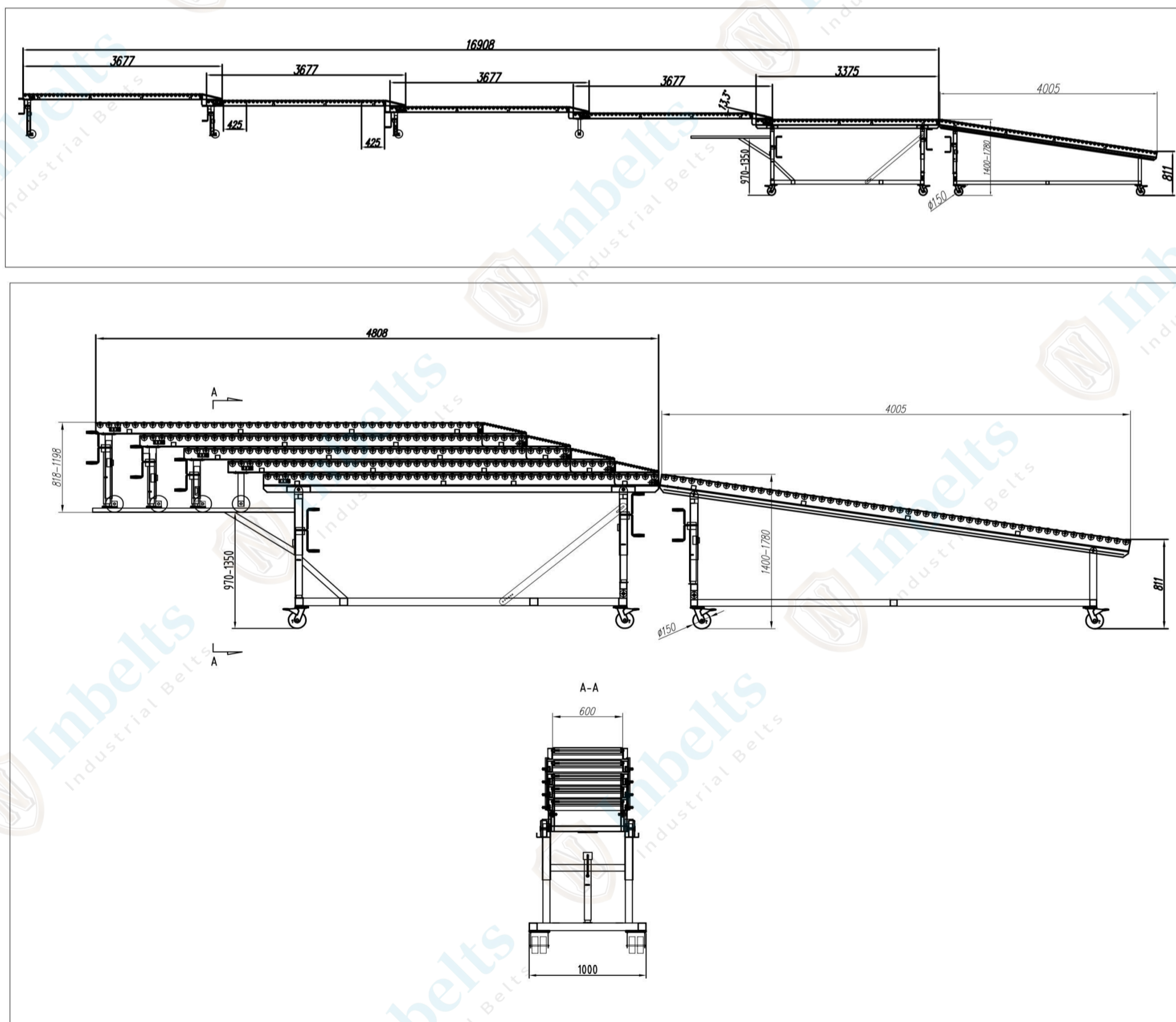


Screw jack and adjustable height on each deck



125mm diameter swivel braked castors

### TBR12 Drawing



**TBR12**

Conveyor Roller	Φ50mm Transfer Roller, Φ25mm galvanized steel rollers
Full Open Length	16900mm
Close Length	4800mm
Effective Width	600mm
Declined Section Length	4000mm
Loading Height in Vehicle	818-1198mm
Discharge Height outside Vehicle	970-1350mm
Overall Length in Vehicle	12m